

DESCRIPTION

- Indoor clock with analogue display.
- Hour – minute display.
- The clocks have been designed in partnership with the design office of the French railways.
- Models: serial ½ minute receiver, 24V minute receiver, France Inter radio receiver and IRIG-B/AFNOR coded time receiver.

NORMS

- Norm NF EN50082-1: electromagnetic compatibility.
- Norm NF EN55022 class B: immunity norm for information processing equipment.
- Norm NF EN60950: immunity norm for information processing equipment.



See the product page
>> www.bodet-time.com <<



TECHNICAL FEATURES

	Movement	Power supply	Operating temperature	Protection index	Optimal viewing distance	Weight
Profil TGV 930	Radio FI receiver	1.5V LR6 batterie	-10°C to +50°C	40	20 m	0.9 kg
	½ minute receiver		-10°C to +50°C	40	20 m	0.9 kg
	Minute receiver		-10°C to +50°C	40	20 m	0.9 kg
	IRIG-B/AFNOR receiver	230 Volt 50Hz ±10%	-10°C to +50°C	40	20 m	1.3 kg
Profil TGV 940	Radio FI receiver	1.5V LR6 batterie	-10°C to +50°C	40	35 m	2.1 kg
	½ minute receiver		-10°C to +50°C	40	35 m	2.1 kg
	Minute receiver		-10°C to +50°C	40	35 m	2.1 kg
	IRIG-B/AFNOR receiver	230 Volt 50Hz ±10%	-10°C to +50°C	40	35 m	2.5 kg

MECHANICAL FEATURES

- **Construction**..... ABS casing.
- **Glass**..... Protective glass made with poly methacrylate.
- **Clock colours**..... - black casing RAL9005.
- yellow hands and notches RAL1016.
- grey dial RAL7015.

REFERENCES

TGV 930	TGV 940	
982 142	985 142	Radio France Inter receiver
981 942	983 942	IRIG-B/AFNOR coded time receiver
981 542	983 542	24V minute receiver
981 642	983 642	½ minute serial receiver

F.I. transmitter



Back side of Profil TGV 930/940



MOVEMENTS AND SYNCHRONISATION

• Radio FI

The clock is totally independent. The France Inter radio synchronized movement brings absolute accuracy and automatic summer/winter changeovers.

• IRIG-B/AFNOR coded time receiver

The coded time distribution consists in transmitting a complete time message every second: the setting on time of the receivers is realised automatically and immediately after connection to the clock line.

The IRIG-B/AFNOR coded time does not transmit interference and is insensitive to other electrical interference.

Consumption : 230V / 15 mA.

• Receiver 1/2 minute serial impulses

The receiver clocks are connected to a distribution line and activated by means of electrical impulses transmitted every ½ minute by the master clock.

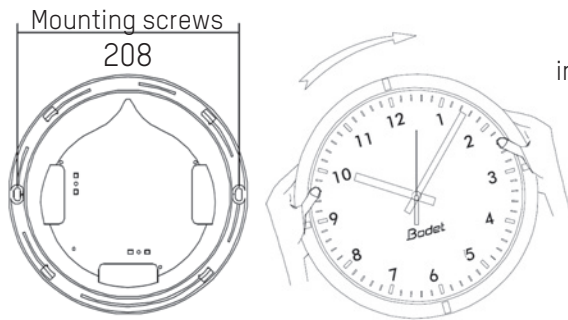
Consumption : 0,9V/65 mA.

• Receiver 12/24V minute impulses or 24V second movement

The receiver clocks are connected to a distribution line and activated by means of electrical impulses transmitted every minute by the master clock.

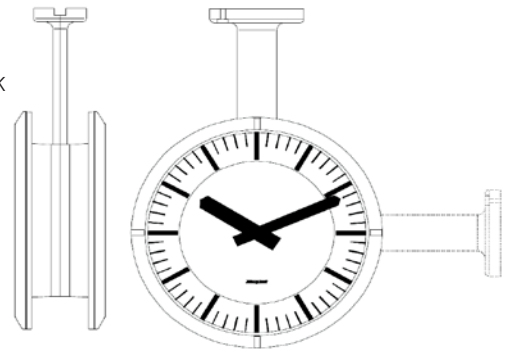
Consumption : 24V / 9,6 mA.

Single sided wall support for IRIG-B/ AFNOR clocks



When the support is fixed on the wall, turn the clock a quarter turn in the clockwise so that the clock is in the correct position.

Double sided bracket mounting

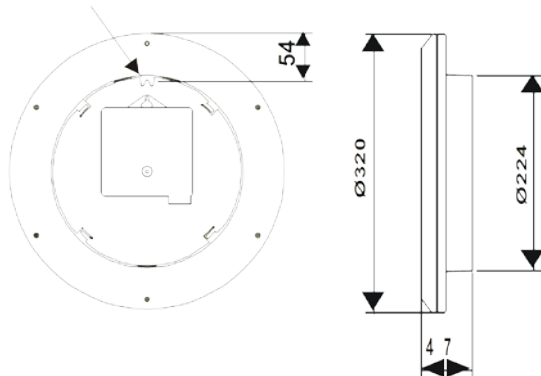


MOUNTING ACCESSORIES

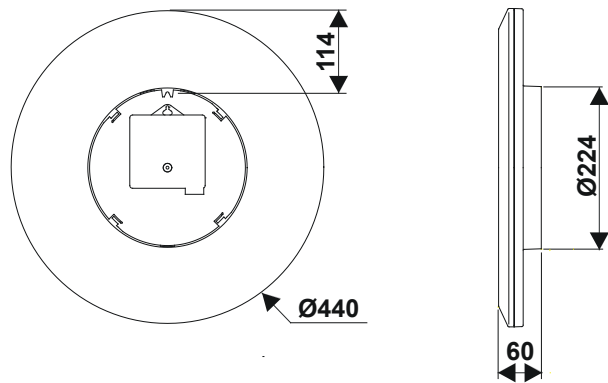
- 981 001..... Double sided bracket for quartz on battery and 12/24V minute
- 981 006..... Secure wall fixing bracket for single sided clock
- 984 003..... Horizontal double sided bracket for IRIG-B/AFNOR movement
- 984 004..... Vertical double sided bracket for IRIG-B/AFNOR movement

PROFIL TGV 930

hanging point



PROFIL TGV 940



Dimensions in mm